

# IQ40-20BD0KK0S

IQG

INDUCTIVE PROXIMITY SENSORS

**SICK**  
Sensor Intelligence.



### Ordering information

Type	part no.
IQ40-20BDOKK0S	1088283

Other models and accessories → [www.sick.com/IQG](http://www.sick.com/IQG)



### Detailed technical data

#### Features

<b>Housing</b>	Rectangular
<b>Housing</b>	Standard design
<b>Dimensions (W x H x D)</b>	40 mm x 40 mm x 118 mm
<b>Sensing range <math>S_n</math></b>	20 mm
<b>Safe sensing range <math>S_a</math></b>	16.2 mm
<b>Installation type</b>	Flush
<b>Switching frequency</b>	150 Hz
<b>Connection type</b>	Cable gland
<b>Output function</b>	NC
<b>Electrical wiring</b>	DC 2-wire
<b>Enclosure rating</b>	IP67, IP68, IP69K
<b>Special applications</b>	Difficult application conditions

#### Mechanics/electronics

<b>Supply voltage</b>	10 V DC ... 30 V DC
<b>Ripple</b>	$\leq 10 V_{pp}^{1)}$
<b>Voltage drop</b>	$\leq 4 V^{2)}$ $\leq 4.5 V^{3)}$
<b>Time delay before availability</b>	< 100 ms
<b>Hysteresis</b>	5 % ... 15 % <sup>4)</sup>
<b>Reproducibility</b>	$\leq 2 \%^{5)}$

<sup>1)</sup> Of  $U_b$ .

<sup>2)</sup> At  $I_a = 30 \text{ mA}$ .

<sup>3)</sup> At  $I_a \text{ max.}$

<sup>4)</sup> Of  $S_r$ .

<sup>5)</sup> Supply voltage  $U_b$  and constant ambient temperature  $T_a$ .

<sup>6)</sup> Reference voltage: 50 V DC.

<b>Temperature drift (of S<sub>r</sub>)</b>	± 10 %
<b>Continuous current I<sub>a</sub></b>	≤ 100 mA
<b>Cable gland clamping area</b>	M20 1.5
<b>Wire size</b>	≤ 2.5 mm <sup>2</sup>
<b>Short-circuit protection</b>	✓
<b>Power-up pulse protection</b>	✓
<b>Shock and vibration resistance</b>	30 g, 11 ms / 10 ... 55 Hz, 1 mm
<b>Ambient operating temperature</b>	-25 °C ... +85 °C
<b>Ambient temperature, storage</b>	-40 °C ... +85 °C
<b>Housing material</b>	Plastic, PA 66
<b>Sensing face material</b>	Plastic, PA 66
<b>Tightening torque, max.</b>	1.8 Nm
<b>Protection class</b>	II <sup>6)</sup>
<b>UL File No.</b>	E348498

1) Of U<sub>B</sub>.

2) At I<sub>a</sub> = 30 mA.

3) At I<sub>a</sub> max.

4) Of S<sub>r</sub>.

5) Supply voltage U<sub>B</sub> and constant ambient temperature T<sub>a</sub>.

6) Reference voltage: 50 V DC.

#### Safety-related parameters

<b>MTTF<sub>D</sub></b>	1,125 years
<b>DC<sub>avg</sub></b>	0 %
<b>T<sub>M</sub> (mission time)</b>	20 years

#### Reduction factors

<b>Note</b>	The values are reference values which may vary
<b>Stainless steel (V2A, 304)</b>	Approx. 0.7
<b>Aluminum (Al)</b>	Approx. 0.3
<b>Copper (Cu)</b>	Approx. 0.3
<b>Brass (Br)</b>	Approx. 0.4

#### Installation note

<b>Remark</b>	Associated graphic see "Installation"
<b>A</b>	0 mm
<b>B</b>	40 mm
<b>C</b>	40 mm
<b>D</b>	60 mm
<b>E</b>	0 mm
<b>F</b>	70 mm

#### Certificates

<b>EU declaration of conformity</b>	✓
<b>UK declaration of conformity</b>	✓

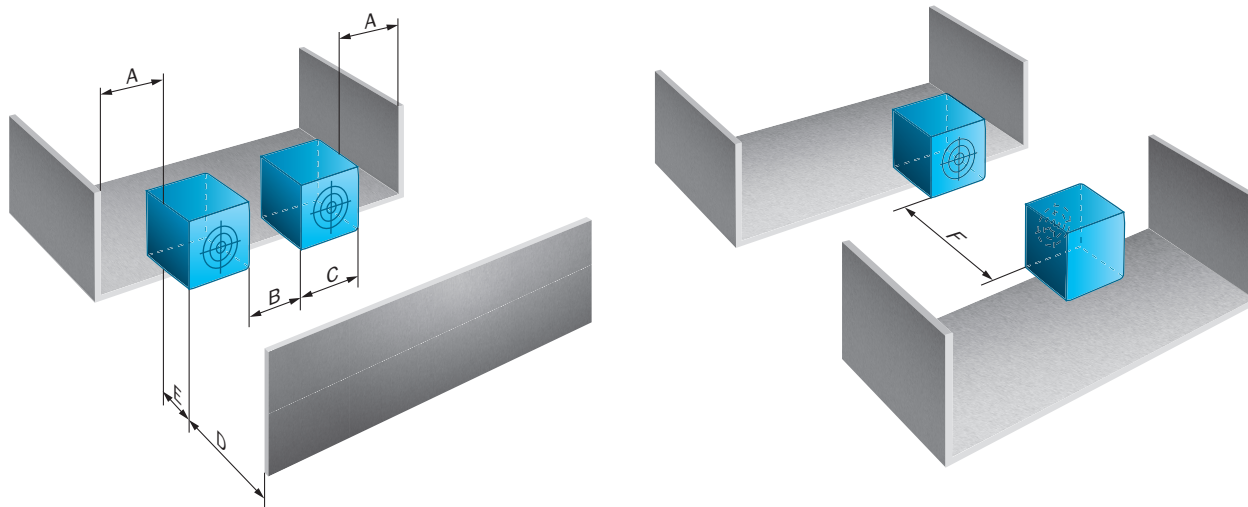
<b>ACMA declaration of conformity</b>	✓
<b>Moroccan declaration of conformity</b>	✓
<b>China RoHS</b>	✓
<b>cULus certificate</b>	✓

Classifications

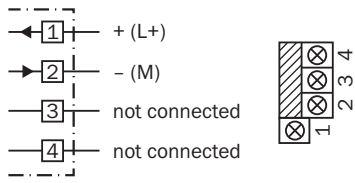
<b>ECLASS 5.0</b>	27270101
<b>ECLASS 5.1.4</b>	27270101
<b>ECLASS 6.0</b>	27270101
<b>ECLASS 6.2</b>	27270101
<b>ECLASS 7.0</b>	27270101
<b>ECLASS 8.0</b>	27270101
<b>ECLASS 8.1</b>	27270101
<b>ECLASS 9.0</b>	27270101
<b>ECLASS 10.0</b>	27270101
<b>ECLASS 11.0</b>	27270101
<b>ECLASS 12.0</b>	27274001
<b>ETIM 5.0</b>	EC002714
<b>ETIM 6.0</b>	EC002714
<b>ETIM 7.0</b>	EC002714
<b>ETIM 8.0</b>	EC002714
<b>UNSPSC 16.0901</b>	39122230

SpareCruX

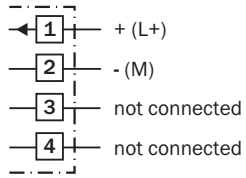
Installation note



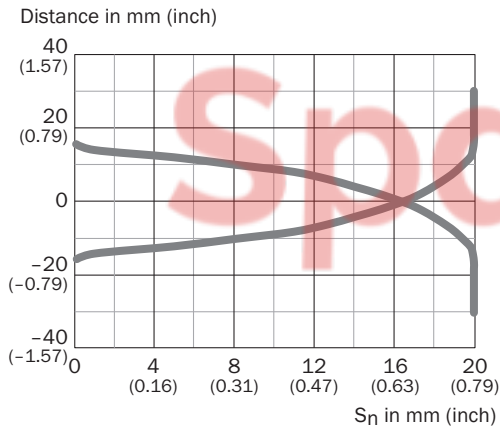
Connection diagram Cd-440



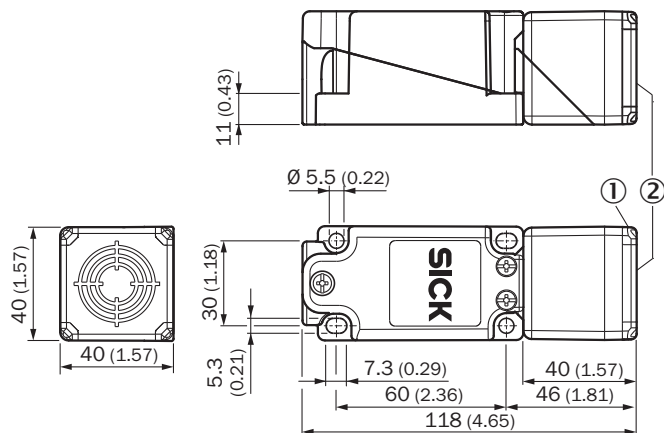
Connection diagram Cd-436



Response diagram



Dimensional drawing IQ40-xxxDxxKxS



Dimensions in mm (inch)

- ① LED output state, yellow
- ② Sensing face

### Recommended accessories

Other models and accessories → [www.sick.com/IQG](http://www.sick.com/IQG)

	Brief description	Type	part no.
connectors and cables			
	<ul style="list-style-type: none"> <li>• <b>Connection type head A:</b> Female connector, M12, 4-pin, straight, A-coded</li> <li>• <b>Description:</b> Unshielded</li> <li>• <b>Connection systems:</b> Screw-type terminals</li> <li>• <b>Permitted cross-section:</b> ≤ 0.75 mm<sup>2</sup></li> </ul>	DOS-1204-G	6007302
	<ul style="list-style-type: none"> <li>• <b>Connection type head A:</b> Male connector, M12, 4-pin, straight, A-coded</li> <li>• <b>Description:</b> Unshielded</li> <li>• <b>Connection systems:</b> Screw-type terminals</li> <li>• <b>Permitted cross-section:</b> ≤ 0.75 mm<sup>2</sup></li> </ul>	STE-1204-G	6009932
	<ul style="list-style-type: none"> <li>• <b>Connection type head A:</b> Female connector, M12, 4-pin, straight, A-coded</li> <li>• <b>Connection type head B:</b> Flying leads</li> <li>• <b>Signal type:</b> Sensor/actuator cable</li> <li>• <b>Cable:</b> 5 m, 4-wire, PVC</li> <li>• <b>Description:</b> Sensor/actuator cable, unshielded</li> <li>• <b>Application:</b> Zones with chemicals, Untaminated zones</li> </ul>	YF2A14-050VB3XLEAX	2096235
	<ul style="list-style-type: none"> <li>• <b>Connection type head A:</b> Female connector, M12, 4-pin, angled, A-coded</li> <li>• <b>Connection type head B:</b> Flying leads</li> <li>• <b>Signal type:</b> Sensor/actuator cable</li> <li>• <b>Cable:</b> 5 m, 4-wire, PVC</li> <li>• <b>Description:</b> Sensor/actuator cable, unshielded</li> <li>• <b>Application:</b> Zones with chemicals, Untaminated zones</li> </ul>	YG2A14-050VB3XLEAX	2095897
	<ul style="list-style-type: none"> <li>• <b>Connection type head A:</b> Female connector, M12, 4-pin, straight, A-coded</li> <li>• <b>Connection type head B:</b> Flying leads</li> <li>• <b>Signal type:</b> Sensor/actuator cable</li> <li>• <b>Cable:</b> 5 m, 4-wire, PUR, halogen-free</li> <li>• <b>Description:</b> Sensor/actuator cable, unshielded</li> <li>• <b>Application:</b> Untaminated zones, Zones with oils and lubricants, Robot, Drag chain operation</li> </ul>	YF2A14-050UB3XLEAX	2095608

## SICK AT A GLANCE

SICK is one of the leading manufacturers of intelligent sensors and sensor solutions for industrial applications. A unique range of products and services creates the perfect basis for controlling processes securely and efficiently, protecting individuals from accidents and preventing damage to the environment.

We have extensive experience in a wide range of industries and understand their processes and requirements. With intelligent sensors, we can deliver exactly what our customers need. In application centers in Europe, Asia and North America, system solutions are tested and optimized in accordance with customer specifications. All this makes us a reliable supplier and development partner.

Comprehensive services complete our offering: SICK LifeTime Services provide support throughout the machine life cycle and ensure safety and productivity.

For us, that is “Sensor Intelligence.”

### WORLDWIDE PRESENCE:

Contacts and other locations – [www.sick.com](http://www.sick.com)

SpareCruX