



MZC1-2V2PS-KU0

MZC1

CYLINDER SENSORS

SICK
Sensor Intelligence.



Ordering information

| Type | part no. |
|----------------|----------|
| MZC1-2V2PS-KU0 | 1059738 |

Other models and accessories → www.sick.com/MZC1



Detailed technical data

Features

| | |
|------------------------------------|---|
| Cylinder type | C-slot |
| Cylinder types with adapter | SMC rail CDQ2 SMC rail ECDQ2 Round body cylinder Profile cylinders and tie-rod cylinders |
| Housing length | 23.7 mm |
| Switching output | PNP |
| Switching frequency | 1,000 Hz |
| Output function | NO |
| Electrical wiring | DC 3-wire |
| Enclosure rating | IP68 ¹⁾ IP69K |

¹⁾ According to DIN 40050 (IP 69K).

Mechanics/electronics

| | |
|---|------------------------|
| Supply voltage | 10 V DC ... 30 V DC |
| Power consumption | 8 mA, without load |
| Voltage drop | ≤ 2.5 V |
| Continuous current I_a | ≤ 100 mA |
| Protection class | III |
| Response sensitivity, typ. | 2.2 mT |
| Overrun distance, typ. | 4 mm ¹⁾ |
| Hysteresis, typ. | ≤ 0.8 mT |
| Reproducibility | ≤ 0.1 mT ²⁾ |
| Reverse polarity protection | Yes |
| Short-circuit protection | Yes |

¹⁾ Distance covered by the encoder magnet while the sensor outputs a switching signal.

²⁾ Supply voltage U_B and constant ambient temperature T_a.

| | |
|---------------------------------------|---|
| Status indicator LED | Yes |
| Teach-in | No |
| Power-up pulse protection | Yes |
| Ambient operating temperature | -30 °C ... +80 °C |
| Shock and vibration resistance | 30 g, 11 ms / 10 ... 55 Hz, 1 mm |
| EMC | According to EN 60947-5-2 |
| Connection type | Cable, 3-wire, stripped, 2 m |
| Connection type Detail | |
| Conductor cross section | 0.09 mm ² |
| Cable diameter | Ø 2.2 mm |
| Bending radius | With fixed installation > 2 x cable diameter For flexible use > 5 x cable diameter |
| Cable outlet | Axial |
| Material | |
| Housing | Plastic |
| Cable | PUR |
| UL File No. | NRKH.E181493 & NRKH7.E181493 |

¹⁾ Distance covered by the encoder magnet while the sensor outputs a switching signal.

²⁾ Supply voltage U_B and constant ambient temperature T_a .

Safety-related parameters

| | |
|-------------------------------------|-------------|
| MTTF_D | 2,461 years |
| DC_{avg} | 0 % |
| T_M (mission time) | 20 years |

Certificates

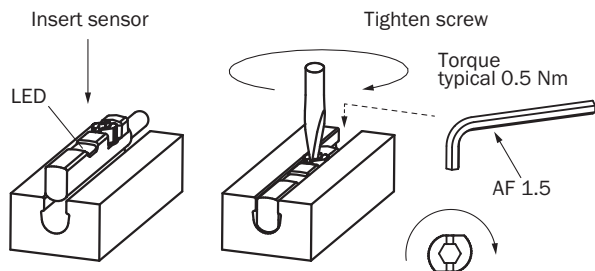
| | |
|---|---|
| EU declaration of conformity | ✓ |
| UK declaration of conformity | ✓ |
| ACMA declaration of conformity | ✓ |
| Moroccan declaration of conformity | ✓ |
| China RoHS | ✓ |
| cULus certificate | ✓ |

Classifications

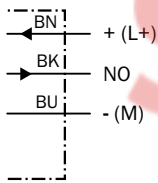
| | |
|---------------------|----------|
| ECLASS 5.0 | 27270104 |
| ECLASS 5.1.4 | 27270104 |
| ECLASS 6.0 | 27270104 |
| ECLASS 6.2 | 27270104 |
| ECLASS 7.0 | 27270104 |
| ECLASS 8.0 | 27270104 |
| ECLASS 8.1 | 27270104 |
| ECLASS 9.0 | 27270104 |
| ECLASS 10.0 | 27270104 |
| ECLASS 11.0 | 27270104 |

| | |
|-----------------------|----------|
| ECLASS 12.0 | 27274301 |
| ETIM 5.0 | EC002544 |
| ETIM 6.0 | EC002544 |
| ETIM 7.0 | EC002544 |
| ETIM 8.0 | EC002544 |
| UNSPSC 16.0901 | 39122230 |

Installation note



Connection diagram Cd-001



SpareCruX

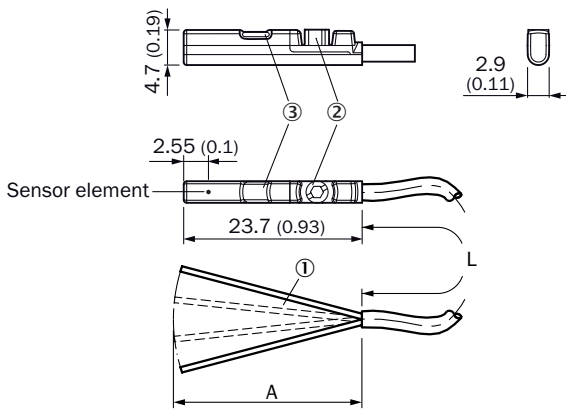
Functional principle Overrun distance



Note: Sensor housing may differ; representation corresponds to "NO contact" output function; overrun distance = switching point width + hysteresis

- ① Position sensor element
- ② Width of the switching point
- ③ Hysteresis
- ④ Direction of movement of the magnet

Dimensional drawing Cable




Dimensions in mm (inch)

- ① Connection
- ② Fixing screw SW 1.5
- ③ Display LED

| Part no. | Type | L | A | Number of cores |
|----------|----------------|-----|---------|-----------------|
| 1059738 | MZC1-2V2PS-KU0 | 2 m | 31.5 mm | 3 |
| 1059740 | MZC1-2V2PS-KW0 | 2 m | 31.5 mm | 3 |
| 1059743 | MZC1-2V2NS-KU0 | 2 m | 31.5 mm | 3 |
| 1059755 | MZC1-4V3PS-KU0 | 2 m | 31.5 mm | 3 |
| 1059756 | MZC1-4V3NS-KU0 | 2 m | 31.5 mm | 3 |
| 1063549 | MZC1-4V3PO-KU0 | 2 m | 31.5 mm | 3 |
| 1086137 | MZC1-2V2DS-KUA | 3 m | 31.5 mm | 2 |
| 1059739 | MZC1-2V2PS-KUB | 5 m | 31.5 mm | 3 |
| 1059741 | MZC1-2V2PS-KWB | 5 m | 31.5 mm | 3 |
| 1068831 | MZC1-2Z2PS-KUB | 5 m | 31.5 mm | 3 |
| 1087248 | MZC1-2V2DS-KUB | 5 m | 31.5 mm | 2 |

Recommended accessories

Other models and accessories → www.sick.com/MZC1

| | Brief description | Type | part no. |
|---|---|--------------------|----------|
| connectors and cables | | | |
|  | <ul style="list-style-type: none"> • Connection type head A: Male connector, M8, 3-pin, straight, A-coded • Signal type: Sensor/actuator cable • Description: Sensor/actuator cable • Connection systems: IDC quick connection • Permitted cross-section: 0.08 mm² ... 0.25 mm² | YM08U13-0002K1823A | 2122277 |

| | Brief description | Type | part no. |
|---|---|-----------------|----------|
| Mounting systems | | | |
|  | <ul style="list-style-type: none"> Description: Mounting bracket on round body cylinder with piston diameter of 12 mm, ambient temperature min 0 °C max 50 °C Material: Plastic, Aluminum Details: Plastic, Aluminum Packing unit: 1 piece Suitable for: C-slot | BEF-KHZ-RC-12 | 2077673 |
|  | <ul style="list-style-type: none"> Description: Mounting bracket on round body cylinder with piston diameter of 16 mm, ambient temperature min 0 °C max 50 °C Material: Plastic, Aluminum Details: Plastic, Aluminum Packing unit: 1 piece Suitable for: C-slot | BEF-KHZ-RC-16 | 2077672 |
|  | <ul style="list-style-type: none"> Description: Mounting bracket on round body cylinder with piston diameter of 20 mm, ambient temperature min 0 °C max 50 °C Material: Plastic, Aluminum Details: Plastic, Aluminum Packing unit: 1 piece Suitable for: C-slot | BEF-KHZ-RC-20 | 2077671 |
|  | <ul style="list-style-type: none"> Description: Mounting bracket on round body cylinder with piston diameter of 25 mm, ambient temperature min 0 °C max 50 °C Material: Plastic, Aluminum Details: Plastic, Aluminum Packing unit: 1 piece Suitable for: C-slot | BEF-KHZ-RC-25 | 2077670 |
|  | <ul style="list-style-type: none"> Description: Mounting bracket on round body cylinder with piston diameter of 32 mm, ambient temperature min 0 °C max 50 °C Material: Plastic, Aluminum Details: Plastic, Aluminum Packing unit: 1 piece Suitable for: C-slot | BEF-KHZ-RC-32 | 2077669 |
|  | <ul style="list-style-type: none"> Description: Mounting bracket on round body cylinder with piston diameter of 40 mm, ambient temperature min 0 °C max 50 °C Material: Plastic, Aluminum Details: Plastic, Aluminum Packing unit: 1 piece Suitable for: C-slot | BEF-KHZ-RC-40 | 2077668 |
|  | <ul style="list-style-type: none"> Description: Mounting bracket on round body cylinder with piston diameter of 50 mm, ambient temperature min 0 °C max 50 °C Material: Plastic, Aluminum Details: Plastic, Aluminum Packing unit: 1 piece Suitable for: C-slot | BEF-KHZ-RC-50 | 2077667 |
|  | <ul style="list-style-type: none"> Description: Mounting bracket on round body cylinder with piston diameter of 63 mm, ambient temperature min 0 °C max 50 °C Material: Plastic, Aluminum Details: Plastic, Aluminum Packing unit: 1 piece Suitable for: C-slot | BEF-KHZ-RC-63 | 2077666 |
|  | <ul style="list-style-type: none"> Description: Mounting bracket on round body cylinder with piston diameter of 1 mm ... 25 mm, ambient temperature min -30 °C max 80 °C Material: Stainless steel, Aluminum Details: Stainless steel, Aluminum Packing unit: 1 piece Suitable for: C-slot | BEF-KHZ-RC1-25 | 2077685 |
|  | <ul style="list-style-type: none"> Description: Mounting bracket on round body cylinder with piston diameter of 1 mm ... 130 mm, ambient temperature min -30 °C max 80 °C Material: Stainless steel, Aluminum Details: Stainless steel, Aluminum Packing unit: 1 piece Suitable for: C-slot | BEF-KHZ-RC1-130 | 2077686 |
|  | <ul style="list-style-type: none"> Description: Mounting bracket for integrated profile cylinder/tie-rod cylinder Material: Zinc diecast Details: Zinc diecast Items supplied: Mounting hardware included | BEF-KHZ-PC1 | 2076170 |

SpareCruX

SICK AT A GLANCE

SICK is one of the leading manufacturers of intelligent sensors and sensor solutions for industrial applications. A unique range of products and services creates the perfect basis for controlling processes securely and efficiently, protecting individuals from accidents and preventing damage to the environment.

We have extensive experience in a wide range of industries and understand their processes and requirements. With intelligent sensors, we can deliver exactly what our customers need. In application centers in Europe, Asia and North America, system solutions are tested and optimized in accordance with customer specifications. All this makes us a reliable supplier and development partner.

Comprehensive services complete our offering: SICK LifeTime Services provide support throughout the machine life cycle and ensure safety and productivity.

For us, that is “Sensor Intelligence.”

WORLDWIDE PRESENCE:

Contacts and other locations – www.sick.com

SpareCruX