



MPS-025CLTQDS01

MPS-C

CYLINDER SENSORS

SICK
Sensor Intelligence.



Ordering information

| Type | part no. |
|-----------------|----------|
| MPS-025CLTQDS01 | 1111002 |

Other models and accessories → www.sick.com/MPS-C



Detailed technical data

Features

| | | | | | |
|------------------------------------|---|------------------------|--|---------|--|
| Cylinder type | C-slot | | | | |
| Cylinder types with adapter | Round body cylinder Profile cylinders and tie-rod cylinders SMC rail CDQ2 SMC rail ECDQ2 | | | | |
| Measuring range | 25 mm ¹⁾ | | | | |
| Housing length | 41 mm | | | | |
| Switching output | Push-pull: PNP/NPN | | | | |
| Output function | Analog, IO-Link | | | | |
| Electrical wiring | DC 4-wire | | | | |
| Analog output (voltage) | 0 V ... 10 V ²⁾ | | | | |
| Analog output (current) | 4 mA ... 20 mA | | | | |
| Enclosure rating | IP67 ³⁾ | | | | |
| Adjustment | <table border="0"> <tr> <td style="vertical-align: top;">Teach-in control panel</td> <td>Teaching in analog outputs Selecting the current/voltage output Inverting the analog output Teaching in digital switching outputs</td> </tr> <tr> <td style="vertical-align: top;">IO-Link</td> <td>Teaching in 4 switching points Pin 2 configuration (0 V–10 V, 4 mA–20 mA) Measuring range (mm) teach-in (analog output) Disabling teach-in pushbutton Teach-in modes per output via IO-Link (cylinder switch mode, two point mode, window mode, and single point mode)</td> </tr> </table> | Teach-in control panel | Teaching in analog outputs Selecting the current/voltage output Inverting the analog output Teaching in digital switching outputs | IO-Link | Teaching in 4 switching points Pin 2 configuration (0 V–10 V, 4 mA–20 mA) Measuring range (mm) teach-in (analog output) Disabling teach-in pushbutton Teach-in modes per output via IO-Link (cylinder switch mode, two point mode, window mode, and single point mode) |
| Teach-in control panel | Teaching in analog outputs Selecting the current/voltage output Inverting the analog output Teaching in digital switching outputs | | | | |
| IO-Link | Teaching in 4 switching points Pin 2 configuration (0 V–10 V, 4 mA–20 mA) Measuring range (mm) teach-in (analog output) Disabling teach-in pushbutton Teach-in modes per output via IO-Link (cylinder switch mode, two point mode, window mode, and single point mode) | | | | |

¹⁾ ± 1 mm.

²⁾ Preset.

³⁾ According to EN 60529.

Mechanics/electronics

| | |
|--|--|
| Supply voltage | 12 V DC ... 30 V DC |
| Power consumption | 42 mA, without load |
| Voltage drop | ≤ 2 V |
| Continuous current I_a | ≤ 100 mA ¹⁾ |
| Max. load resistance | ≤ 500 Ω Power Output, at 24 V |
| Min. load resistance | ≥ 2 kΩ ²⁾ |
| Protection class | III |
| Time delay before availability | 0.15 s |
| Required magnetic field sensitivity, typ. | 3 mT ... 12 mT |
| Resolution, typ. | ≥ 50 μm |
| Linearity error, typ. | 0.3 mm ³⁾ |
| Repeat accuracy, typ. | 0.1 mm ⁴⁾ |
| Sampling rate, typ. | 1 ms |
| Reverse polarity protection | Yes |
| Short-circuit protection | Yes |
| Status indicator LED | Yes |
| Digital switching output | Yes |
| Teach-in | Yes |
| Ambient operating temperature | -20 °C ... +70 °C |
| Shock and vibration resistance | 30 g, 11 ms / 10 ... 55 Hz, 1 mm |
| EMC | According to EN 60947-5-7 ⁵⁾ |
| Connection type | Cable with connector M12, 4-pin, with knurled nut, 0.6 m |
| Connection type Detail | |
| Deep-freeze property | Do not bend below 0 °C |
| Conductor cross section | 0.08 mm ² |
| Cable diameter | Ø 2.6 mm |
| Bending radius | With fixed installation > 5 x cable diameter For flexible use > 10 x cable diameter |
| Cable outlet | Axial |
| Material | |
| Housing | Plastic |
| Cable | PUR |
| UL File No. | NRKH.E181493 & NRKH7.E181493 |

¹⁾ ≤ 100 mA (PUSH); ≥ -100 mA (PULL).

²⁾ Voltage output.

³⁾ At 25 °C, linearity error (maximum deviation) depending on response curve and minimal deviation function.

⁴⁾ At 25 °C, repeatability magnet movement in one direction.

⁵⁾ The analog measured value can deviate under transient conditions.

Communication interface

| | |
|---------------------------------------|--------------|
| Communication interface | IO-Link V1.1 |
| Communication Interface detail | COM3 |

| | |
|-------------------------------|--|
| Cycle time | 1 ms |
| Process data length | 16 Bit |
| Process data structure | Bit 0 = switching signal Q _{L1} Bit 1 = switching signal Q _{L2} Bit 2 = switching signal Q _{L3} Bit 3 = switching signal Q _{L4} Bit 4 ... 15 = position (in 50 µm) |

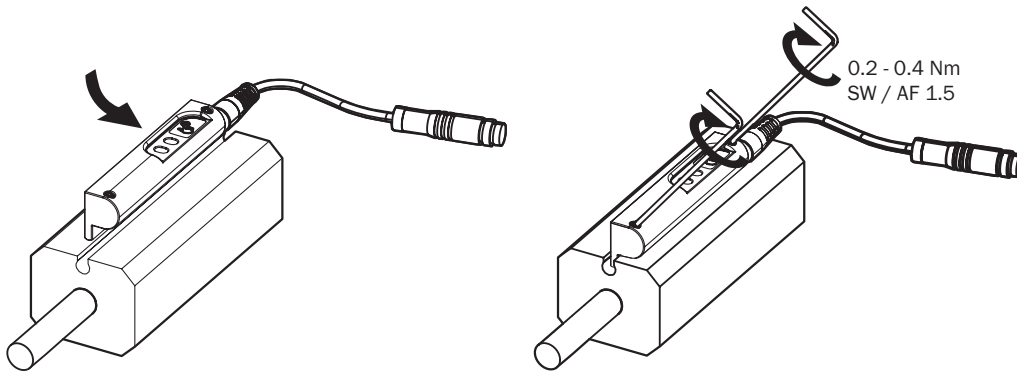
Certificates

| | |
|--|---|
| EU declaration of conformity | ✓ |
| UK declaration of conformity | ✓ |
| ACMA declaration of conformity | ✓ |
| China RoHS | ✓ |
| cULus certificate | ✓ |
| IO-Link certificate | ✓ |
| Information according to Art. 3 of Data Act (Regulation EU 2023/2854) | ✓ |

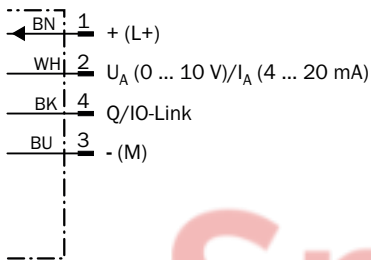
Classifications

| | |
|-----------------------|----------|
| ECLASS 5.0 | 27270104 |
| ECLASS 5.1.4 | 27270104 |
| ECLASS 6.0 | 27270104 |
| ECLASS 6.2 | 27270104 |
| ECLASS 7.0 | 27270104 |
| ECLASS 8.0 | 27270104 |
| ECLASS 8.1 | 27270104 |
| ECLASS 9.0 | 27270104 |
| ECLASS 10.0 | 27270104 |
| ECLASS 11.0 | 27270104 |
| ECLASS 12.0 | 27274301 |
| ETIM 5.0 | EC002544 |
| ETIM 6.0 | EC002544 |
| ETIM 7.0 | EC002544 |
| ETIM 8.0 | EC002544 |
| UNSPSC 16.0901 | 39122230 |

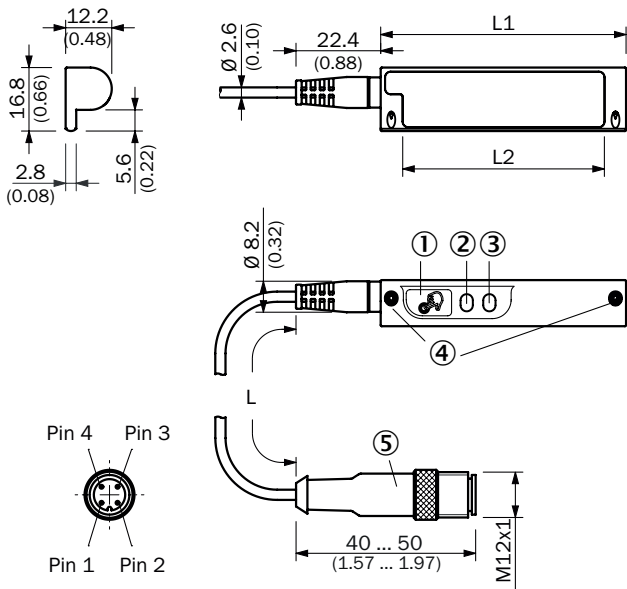
Installation note



Connection diagram Cd-357



Dimensional drawing Cable with M12 male connector



| | Total length (L1) mm | Measuring range (L2) mm |
|----------------|----------------------|-------------------------|
| MPS-xxx | 40.6 | 25 |
| MPS-xxx | 64.9 | 50 |
| MPS-xxx | 114.9 | 100 |
| MPS-xxx | 214.7 | 200 |

Dimensions in mm (inch)

- ① Teach-in button
- ② status LEDs
- ③ operating LEDs
- ④ Fixing screw SW 1.5

⑤ Connection

| Part no. | Type | L | Number of cores |
|----------|-----------------|--------|-----------------|
| 1127298 | MPS-100CLTQ0 | 300 mm | 4 |
| 1111086 | MPS-200CLTQ0 | 300 mm | 4 |
| 1111002 | MPS-025CLTQDS01 | 600 mm | 4 |

Recommended accessories

Other models and accessories → www.sick.com/MPS-C

| | Brief description | Type | part no. |
|------------------------------|--|--------------------|----------|
| Mounting systems | | | |
| | <ul style="list-style-type: none"> Description: Mounting bracket for integrated profile cylinder/tie-rod cylinder Material: Zinc diecast Details: Zinc diecast Items supplied: Mounting hardware included | BEF-KHZ-PC1 | 2076170 |
| | <ul style="list-style-type: none"> Description: Mounting bracket on round body cylinder with piston diameter of 1 mm ... 130 mm, ambient temperature min -30 °C max 80 °C Material: Stainless steel, Aluminum Details: Stainless steel, Aluminum Packing unit: 1 piece Suitable for: C-slot | BEF-KHZ-RC1-130 | 2077686 |
| | <ul style="list-style-type: none"> Description: Mounting bracket on round body cylinder with piston diameter of 1 mm ... 25 mm, ambient temperature min -30 °C max 80 °C Material: Stainless steel, Aluminum Details: Stainless steel, Aluminum Packing unit: 1 piece Suitable for: C-slot | BEF-KHZ-RC1-25 | 2077685 |
| | <ul style="list-style-type: none"> Description: Label Holder, 2.5 mm to 3.5 mm, 10 pcs. Material: Plastic Details: TPU Packing unit: 10 pieces | LABEL HOLDER | 2086019 |
| connectors and cables | | | |
| | <ul style="list-style-type: none"> Connection type head A: Female connector, M12, 4-pin, straight, A-coded Connection type head B: Male connector, M8, 4-pin, straight, A-coded Signal type: Sensor/actuator cable Cable: 0.6 m, 4-wire, PUR, halogen-free Description: Sensor/actuator cable, unshielded Application: Uncontaminated zones, Zones with oils and lubricants, Robot, Drag chain operation | YF2A14-C60UA3M8U14 | 2096111 |
| | <ul style="list-style-type: none"> Connection type head A: Female connector, M12, 4-pin, straight, A-coded Connection type head B: Male connector, M8, 4-pin, straight, A-coded Signal type: Sensor/actuator cable Cable: 3 m, 4-wire, PUR, halogen-free Description: Sensor/actuator cable, unshielded Application: Uncontaminated zones, Zones with oils and lubricants, Robot, Drag chain operation | YF2A14-030UA3M8U14 | 2145634 |
| | <ul style="list-style-type: none"> Connection type head A: Female connector, M12, 4-pin, straight, A-coded Connection type head B: Male connector, M8, 4-pin, straight, A-coded Signal type: Sensor/actuator cable Cable: 10 m, 4-wire, PUR, halogen-free Description: Sensor/actuator cable, unshielded Application: Uncontaminated zones, Zones with oils and lubricants, Robot, Drag chain operation | YF2A14-100UA3M8U14 | 2145633 |
| | <ul style="list-style-type: none"> Connection type head A: Female connector, M12, 4-pin, straight, A-coded Connection type head B: Male connector, M12, 4-pin, straight, A-coded Signal type: Sensor/actuator cable Cable: 1 m, 4-wire, PVC Description: Sensor/actuator cable, unshielded Application: Zones with chemicals, Uncontaminated zones | YF2A14-010VB3M2A14 | 2110005 |

SICK AT A GLANCE

SICK is one of the leading manufacturers of intelligent sensors and sensor solutions for industrial applications. A unique range of products and services creates the perfect basis for controlling processes securely and efficiently, protecting individuals from accidents and preventing damage to the environment.

We have extensive experience in a wide range of industries and understand their processes and requirements. With intelligent sensors, we can deliver exactly what our customers need. In application centers in Europe, Asia and North America, system solutions are tested and optimized in accordance with customer specifications. All this makes us a reliable supplier and development partner.

Comprehensive services complete our offering: SICK LifeTime Services provide support throughout the machine life cycle and ensure safety and productivity.

For us, that is “Sensor Intelligence.”

WORLDWIDE PRESENCE:

Contacts and other locations – www.sick.com

SpareCruX